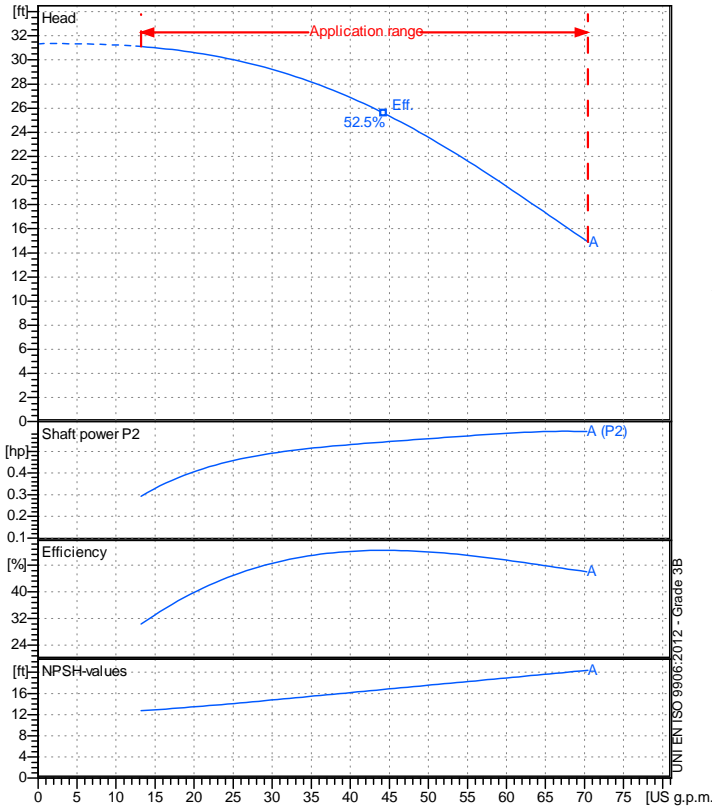


Receiver

From

 Company name
 Respons. Department
 Person in charge
 Phone number
 Fax no
 E-mail address

Operating data specification

Nominal flow	US g.p.m.	0
Nominal head	ft	0
Static head	ft	0
NPSH - v value of plant	ft	0
Inlet pressure	psi	1.42
Fluid		Water, pure
Operating temperature t A	°F	68
Density at t A	lb/ft³	62.32
Kin. viscosity at t A	ft²/s	1.082E-5

Pump

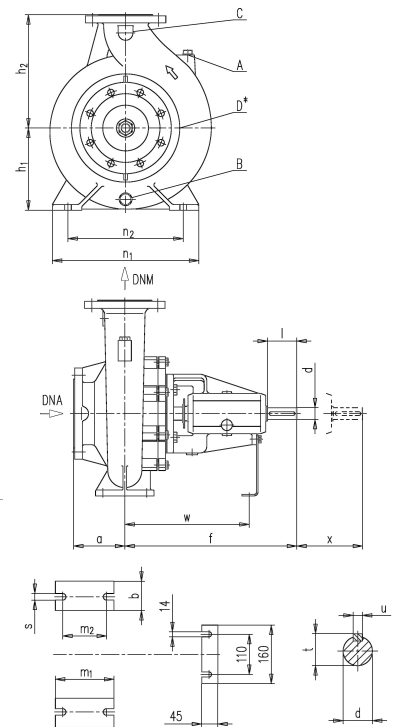
Pump name	JNCB 32-125A		
Size	50/32/125		
Design			
Speed rpm	1800	No of stages	1
Impeller type			
Flow	Nominal	US g.p.m.	
	Max-	US g.p.m.	70.5
	Min-	US g.p.m.	13.2
Head	Nominal	ft	
	Max-	ft	31.1
	Min-	ft	14.9
Head H(Q=0)	ft	31.3	
NPSH 3%	ft		
Max. working pressure	psi	13.6	
Shaft power	hp		
Efficiency	%		
Max absorbed power	hp	0.59259	

Materials Pump

Shaft	Stainless steel AISI 431 (1.4057)		
Impeller	Cast iron EN-GJL-250		
Pump body	Cast iron EN-GJL-250		
Seal disc	Cast iron EN-GJL-250		
Gasket	Natural fiber		
Mech. seal EN 12756			
Seal face	Carbon graphite resin impreg.		
Seat	Alumina Oxide		
Rubber elements	EPDM Rubber		
Spring and metal bellows	Stainless steel AISI 316		
Motor	Frame size		
Manufacturer / Type			
Rated power	hp	Efficiency	4/4
Electric current	A	Speed	rpm
Electric voltage	V		Hz
Starting mode			
Degree of protection	Insulation class		

Dimensions in inch

A	3/8"	n2	5 1/2
a	3 1/8	s	9 1/16
B	3/8"	t	1 1/16
b	1 15/16	u	5 1/16
C	1/4"	w	10 1/4
d k6	15/16	x	3 15/16
D	3/8"		
DNA	DN 50		
DNM	DN 32		
f	14 3/16		
h1	4 7/16		
h2	5 1/2		
l	1 15/16		
m1	3 15/16		
m2	2 3/4		
n1	7 1/2		



Remarks:

Project	Project ID	Created by	Created on	Last update
			2022-10-19	



Performance Curves JNCB 32-125A

Revision no
[]

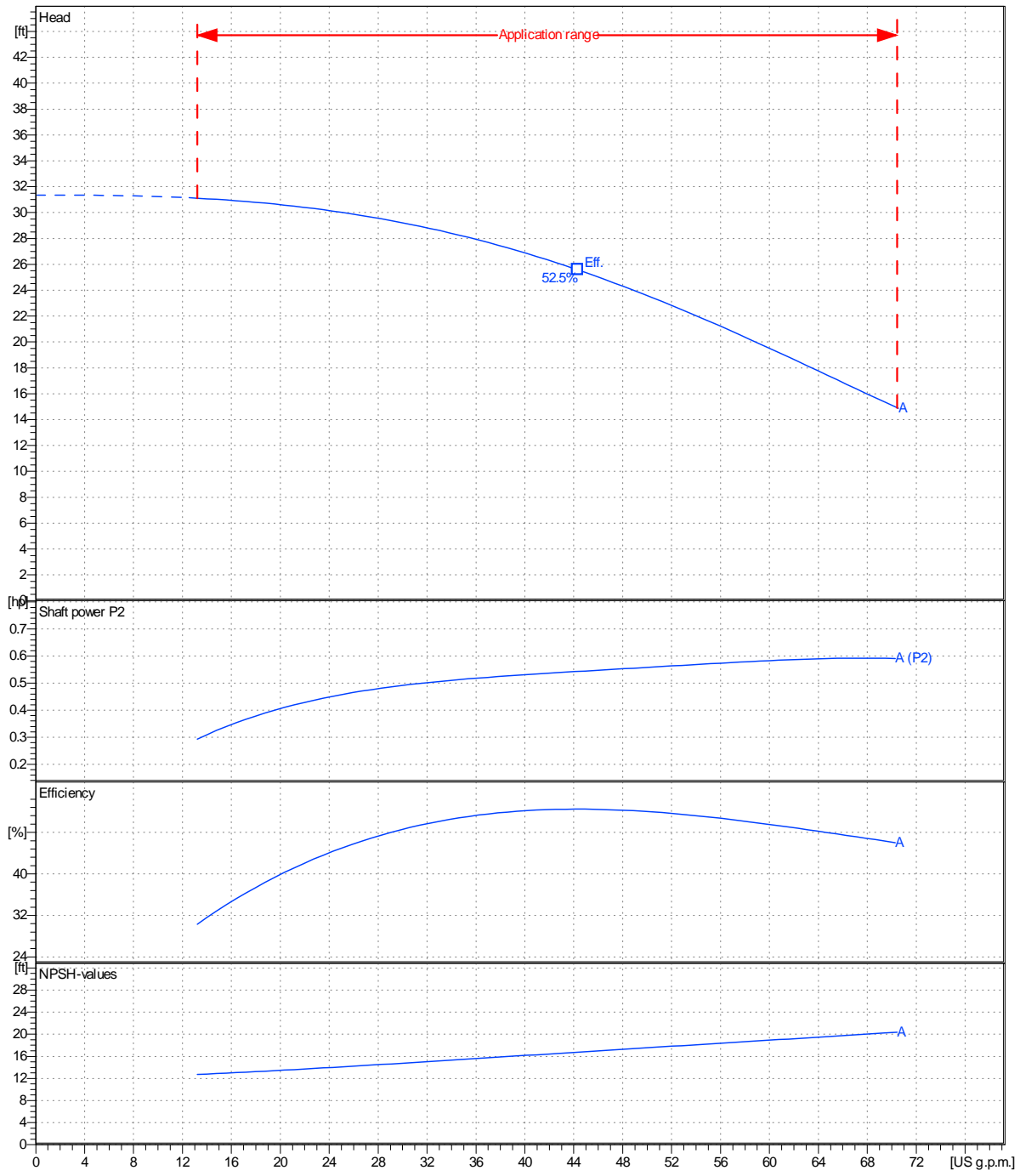
Page:
2

Receiver	From

Company name
Respons. Department
Person in charge
Phone number
Fax no
E-mail address

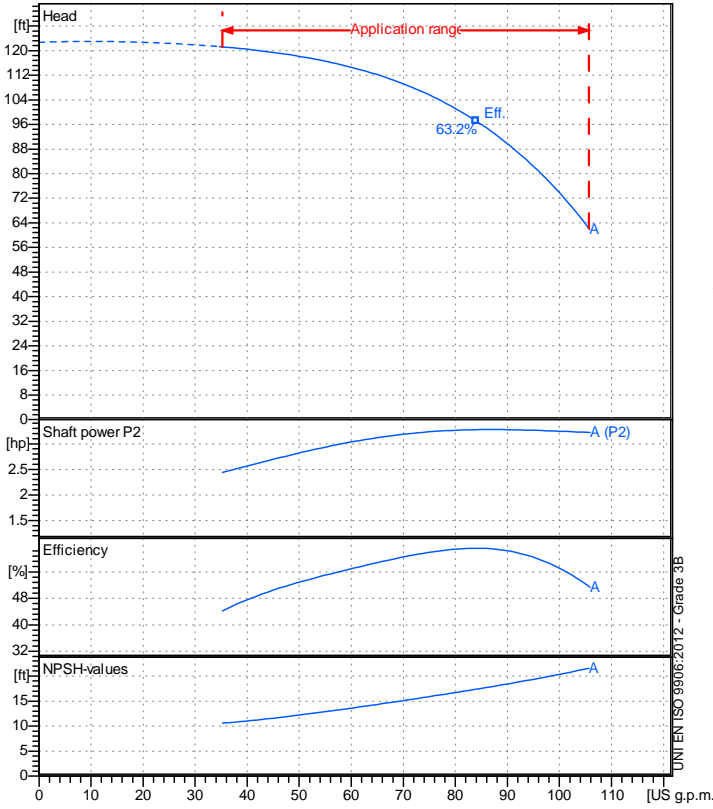
Operating area	Flow	Head	Impeller type
Operating data specification	0 US g.p.m.	0 ft	Impeller construction Closed
Pump data	US g.p.m.	ft	Sense of rotation Clockwise from the drive end
			Outlet width DN 32
	Flow	Head	Shaft power P2
	Min. Max. η Max.	H(Q=0) η Max.	P2(Q=0) Max. η Max.
	US g.p.m. US g.p.m. US g.p.m.	ft ft	hp hp hp
	13.2 70.4 44.3	31.3 25.6	0.593 0.543
			Speed rpm 1800
			Frequency Hz

Performance data based to: Water, pure [100%]; 68°F; 62.3lb/ft³; 1.08E-5ft²/s UNI EN ISO 9906:2012 - Grade 3B



Receiver

From

 Company name
 Respons. Department
 Person in charge
 Phone number
 Fax no
 E-mail address

Operating data specification

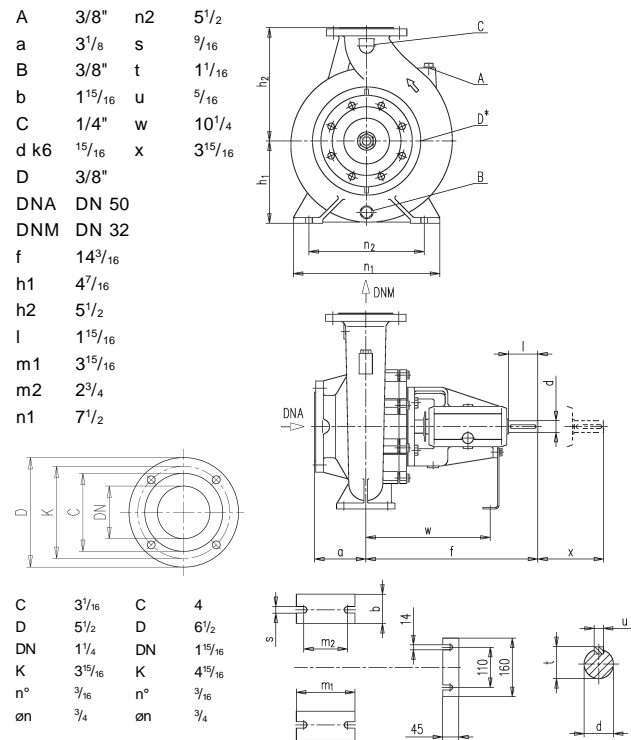
Nominal flow	US g.p.m.	0
Nominal head	ft	0
Static head	ft	0
NPSH - v value of plant	ft	0
Inlet pressure	psi	1.42
Fluid	Water, pure	
Operating temperature t A	°F	68
Density at t A	lb/ft³	62.32
Kin. viscosity at t A	ft²/s	1.082E-5

Pump

Pump name	JNCB 32-125A		
Size	50/32/125		
Design			
Speed rpm	3600	No of stages	1
Impeller type			
Flow	Nominal	US g.p.m.	
	Max-	US g.p.m.	106
	Min-	US g.p.m.	35.2
Head	Nominal	ft	
	Max-	ft	121
	Min-	ft	61.9
Head H(Q=0)	ft	123	
NPSH 3%	ft		
Max. working pressure	psi	53.1	
Shaft power	hp		
Efficiency	%		
Max absorbed power	hp	3.2775	

Materials Pump

Shaft	Stainless steel AISI 431 (1.4057)		
Impeller	Cast iron EN-GJL-250		
Pump body	Cast iron EN-GJL-250		
Seal disc	Cast iron EN-GJL-250		
Gasket	Natural fiber		
Mech. seal EN 12756			
Seal face	Carbon graphite resin impreg.		
Seat	Alumina Oxide		
Rubber elements	EPDM Rubber		
Spring and metal bellows	Stainless steel AISI 316		
Motor	Frame size		
Manufacturer / Type			
Rated power	hp	Efficiency	4/4
Electric current	A	Speed	rpm
Electric voltage	V		Hz
Starting mode			
Degree of protection	Insulation class		

Dimensions in inch


Remarks:

Project	Project ID	Created by	Created on	Last update
			2022-10-19	



Performance Curves JNCB 32-125A

Revision no

Page:
4

Receiver

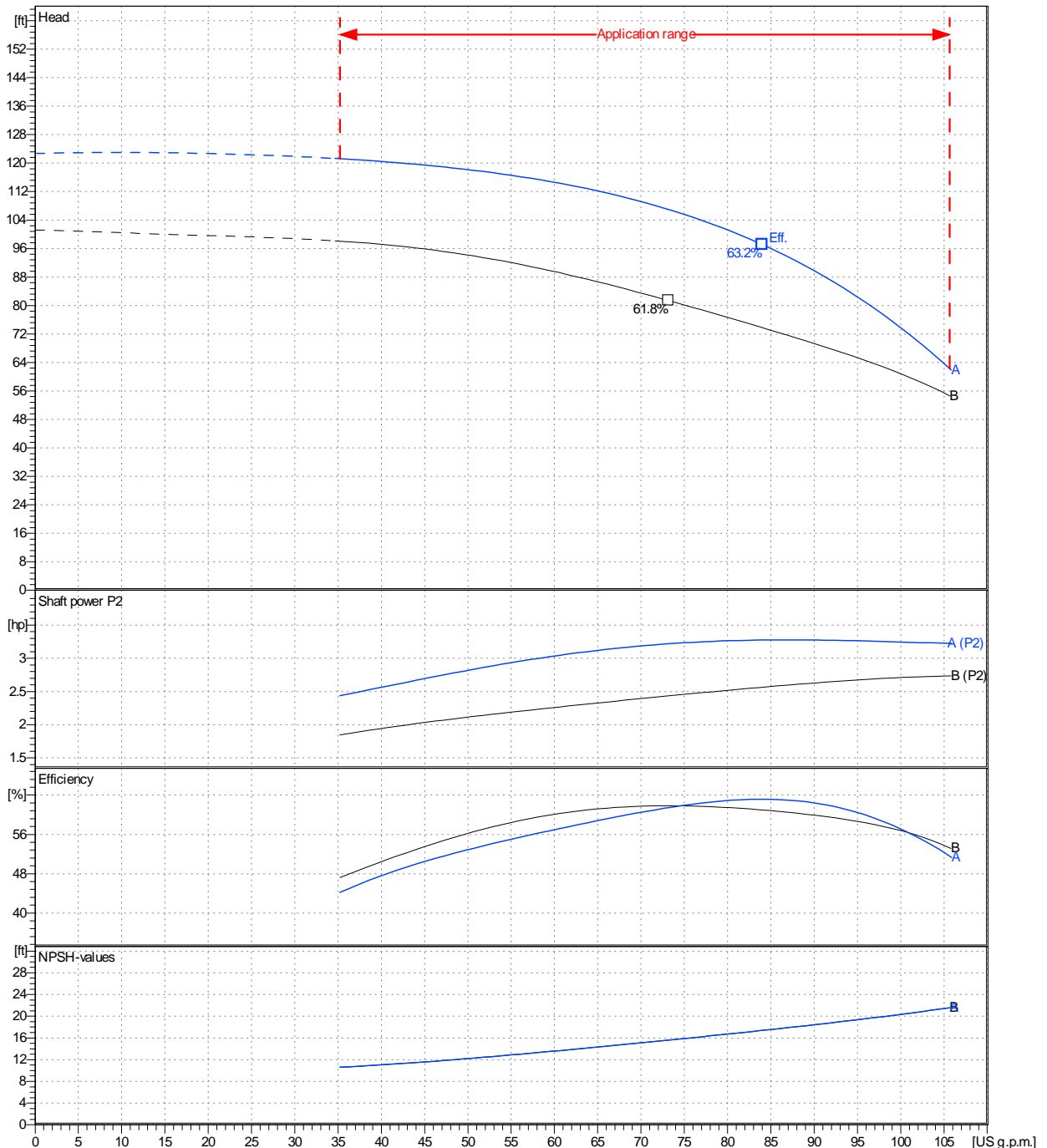
From

Company name
Respons. Department
Person in charge
Phone number
Fax no
E-mail address

Operating area	Flow	Head	Impeller type
Operating data specification	0 US g.p.m.	0 ft	Impeller construction Closed
Pump data	US g.p.m.	ft	Sense of rotation Clockwise from the drive end
	Speed	rpm	3600
	Frequency	Hz	
	Min. Flow US g.p.m.	Max. Flow US g.p.m.	Max. Head ft
	35.2	106	123
	Min. Efficiency %	Max. Efficiency %	Max. Shaft Power hp
	61.8	63.2	3.27

Performance data based to: Water, pure [100%] ; 68°F; 62.3lb/ft³; 1.08E-5ft²/s

UNI EN ISO 9906:2012 - Grade 3B



Project	Project ID	Created by	Created on 2022-10-19	Last update
---------	------------	------------	--------------------------	-------------

Company name
Respons. Department
Person in charge
Phone number
Fax no
E-mail address

