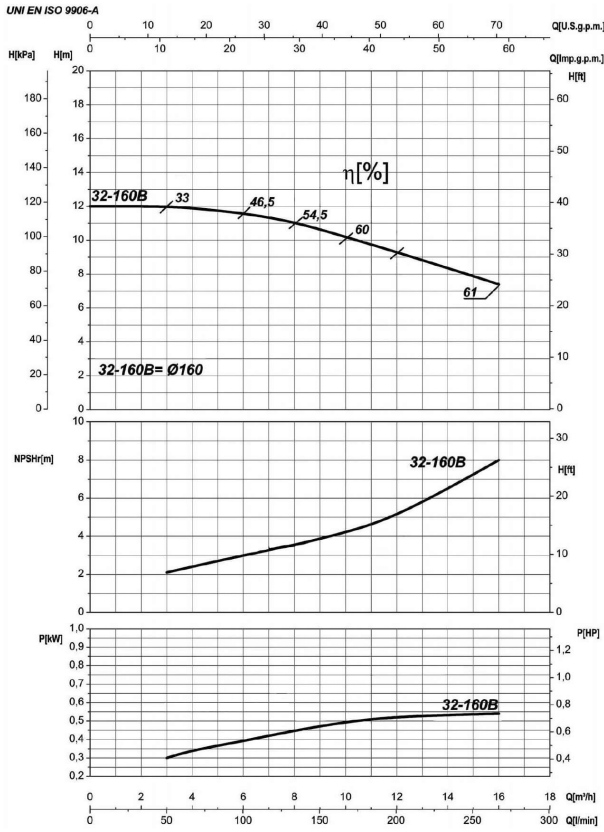


Company name
 Respons. Department
 Person in charge
 Phone number
 Fax no
 E-mail address

Receiver	From



Operating data specification

Nominal flow	US g.p.m. 0
Nominal head	ft 0
Static head	ft 0
NPSH - v value of plant	ft 0
Inlet pressure	psi 1.42
Fluid	Water, pure
Operating temperature t A	°F 68
Density at t A	lb/ft³ 62.32
Kin. viscosity at t A	ft²/s 1.082E-5

Pump		6IR4P 32-160B	
Pump name	6IR4P 32-160B		
Size	50/32/160		
Design			
Speed rpm	1800	No of stages	1
Impeller type			
Flow	Nominal	US g.p.m.	
	Max-	US g.p.m.	70.4
	Min-	US g.p.m.	13.2
Head	Nominal	ft	
	Max-	ft	39.2
	Min-	ft	24.3
Head H(Q=0)	ft 39.2		
NPSH 3%	ft		
Max. working pressure	psi 17		
Shaft power	hp		
Efficiency	%		
Max absorbed power	hp 0.7249		

Materials Pump

Shaft	Stainless steel AISI 431 (1.4057)		
Impeller	Cast iron EN-GJL-250		
Pump body	Cast iron EN-GJL-250		
Seal disc	Cast iron EN-GJL-250		
Gasket	Natural fiber		
Mechanical seal	BVEG (Grafito/Ossido Allumina/EPDM)		

Motor	Frame size	80		
Manufacturer / Type	SAER MEC80-4P-0.55			
Rated power	hp	0.73756	Efficiency 4/4	75.5 %
Electric current	A	9.2/4.1 A	Speed rpm	1800
Electric voltage	V	115/230V	1~	Hz 60
Starting mode	Unknown			
Degree of protection	IP 55	Insulation class	F	

Dimensions in inch

<p>a 3¹/₈</p> <p>b 1⁵/₁₆</p> <p>DNA 1⁵/₁₆</p> <p>DNM 1¹/₄</p> <p>f 13³/₈</p> <p>h1 5³/₁₆</p> <p>h2 6⁵/₁₆</p> <p>m1 3¹⁵/₁₆</p> <p>m2 2³/₄</p> <p>n1 9⁷/₁₆</p> <p>n2 7¹/₂</p> <p>s 9¹/₁₆</p> <p>w 9¹/₂</p>	
--	--

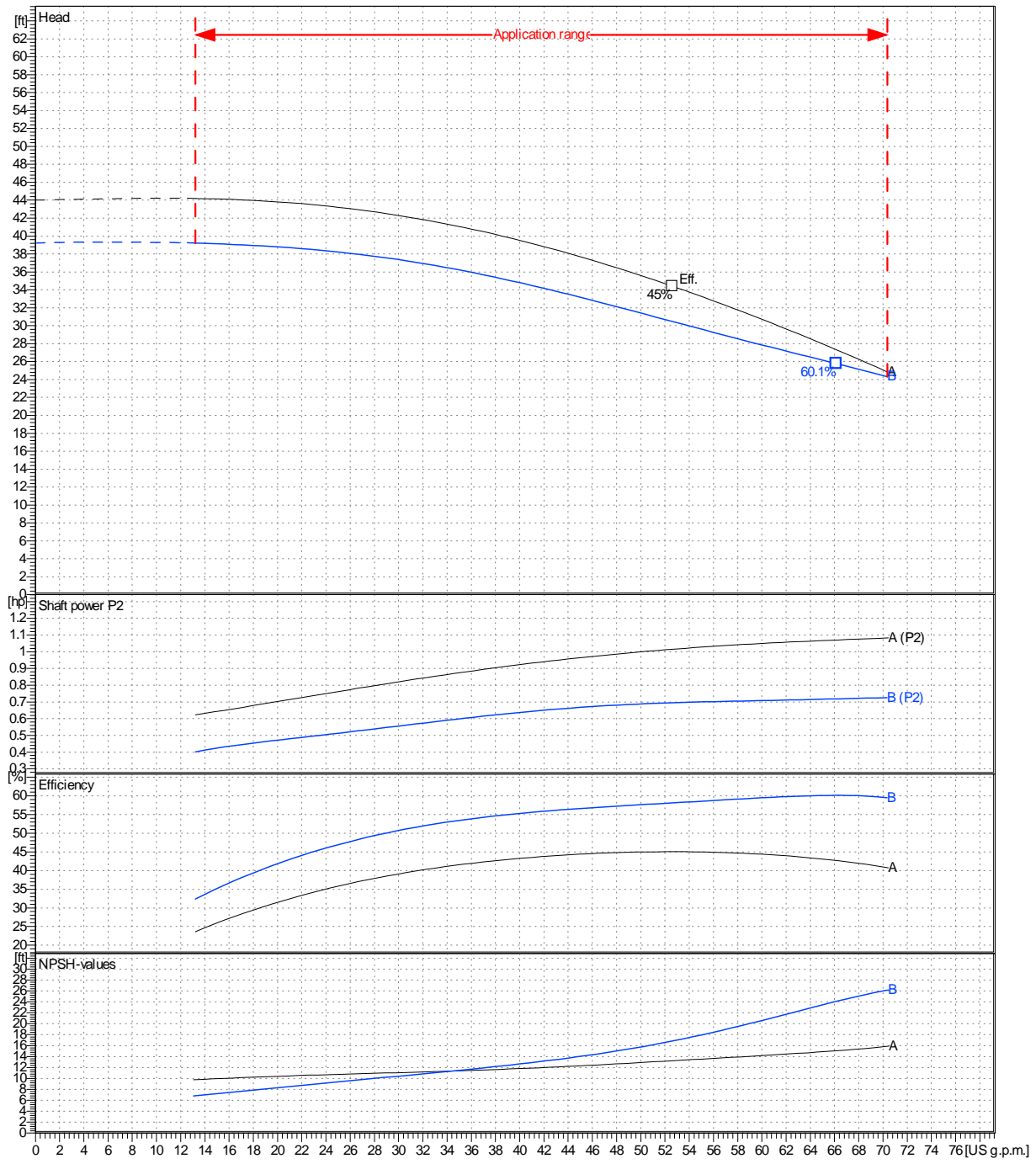
C 3 ³ / ₁₆	C 4
D 5 ¹ / ₂	D 6 ¹ / ₂
DN 1 ¹ / ₄	DN 1 ⁵ / ₁₆
K 3 ¹⁵ / ₁₆	K 4 ¹⁵ / ₁₆
n° 3 ¹ / ₁₆	n° 3 ¹ / ₁₆
ø n 3 ¹ / ₄	ø n 3 ¹ / ₄

Remarks:	
Project	Project ID
Created by	Created on
	8/10/2022
	Last update

Receiver	From
Company name	
Respons. Department	
Person in charge	
Phone number	
Fax no	
E-mail address	

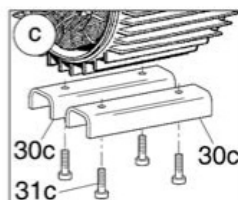
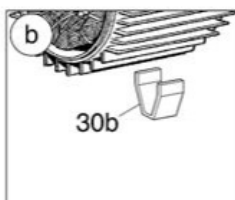
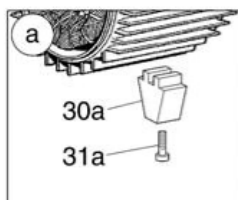
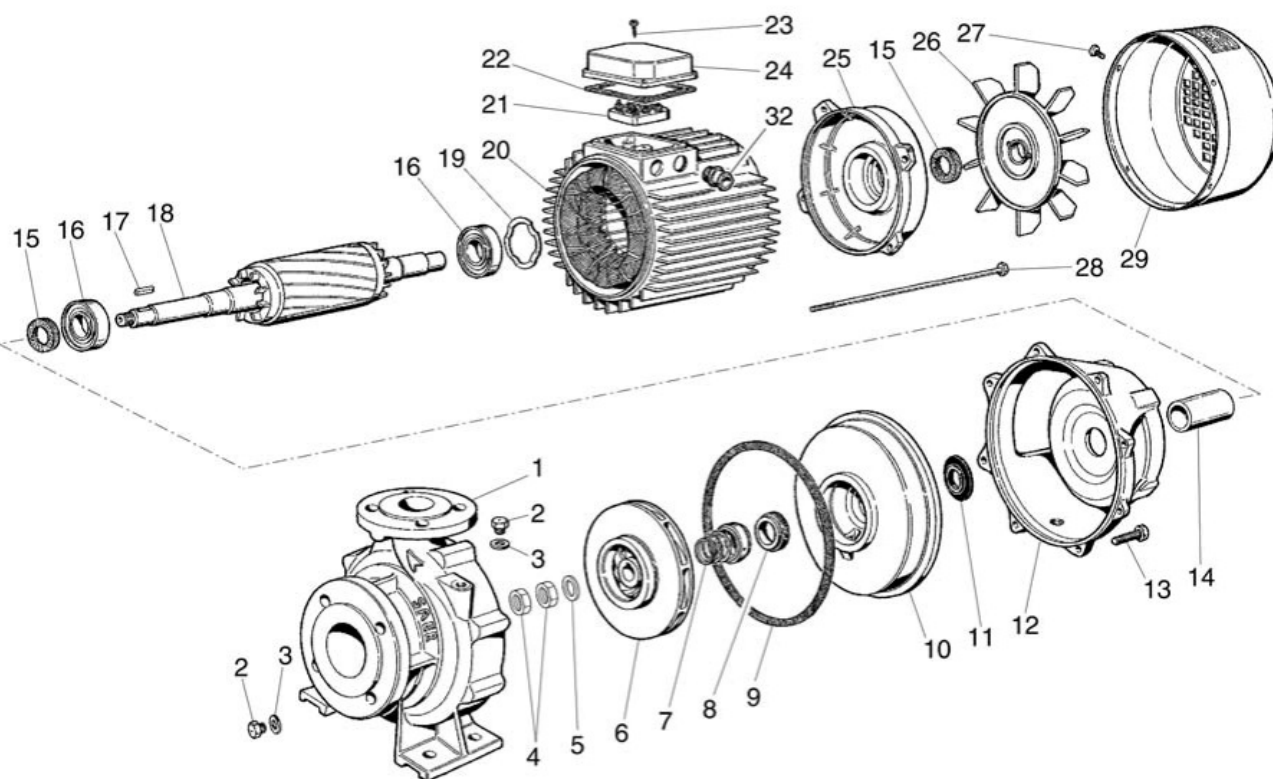
Operating area	Flow	Head	Impeller type
Operating data specification	0 US g.p.m.	0 ft	Impeller construction Closed
Pump data	US g.p.m.	ft	Sense of rotation Clockwise from the drive end
			Outlet width DN 32
	Flow	Head	Shaft power P2
	Min. Max. η Max.	H(Q=0) η Max.	P2(Q=0) Max. η Max.
	US g.p.m. US g.p.m. US g.p.m.	ft ft	hp hp hp
	13.2 70.4 66.2	39.2 25.8	0.725 0.719
			Speed rpm 1800
			Frequency Hz 60 Hz

Performance data based to: Water, pure [100%]; 68°F; 62.3lb/ft³; 1.08E-5ft²/s UNI EN ISO 9906:2012 - Grade 3B



Project	Project ID	Created by	Created on 8/10/2022	Last update
---------	------------	------------	--------------------------------	-------------

Company name
Respons. Department
Person in charge
Phone number
Fax no
E-mail address



Project

Project ID

Created by

Created on
8/10/2022

Last update