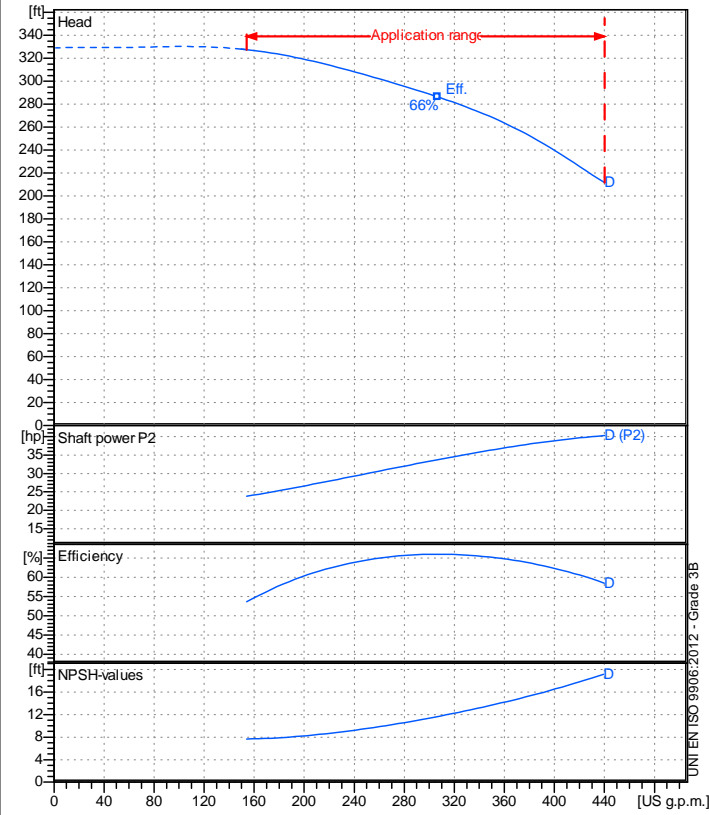


Company name  
 Respons. Department  
 Person in charge  
 Phone number  
 Fax no  
 E-mail address

Receiver	From



### Operating data specification

Nominal flow	US g.p.m. 0
Nominal head	ft 0
Static head	ft 0
NPSH - v value of plant	ft 0
Inlet pressure	psi 1.42
Fluid	Water, pure
Operating temperature t A	°F 68
Density at t A	lb/ft³ 62.32
Kin. viscosity at t A	ft²/s 1.082E-5

### Pump

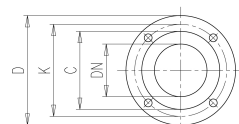
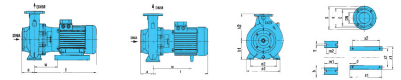
Pump name	6MG-M2 50-250N D		
Size	50/32/200		
Design			
Speed rpm	3600	No of stages	1
Impeller type			
Flow	Nominal	US g.p.m.	
	Max-	US g.p.m.	440
	Min-	US g.p.m.	154
Head	Nominal	ft	
	Max-	ft	328
	Min-	ft	212
Head H(Q=0)	ft 329		
NPSH 3%	ft		
Max. working pressure	psi 142		
Shaft power	hp		
Efficiency	%		
Max absorbed power	hp 40.269		

### Materials Pump

Shaft	Duplex Stainless steel (1.4362)
Impeller	Bronze G-CuSn10 (CC480K)
Pump body	Bronze G-CuSn10 (CC480K)
Seal disc	Bronze G-CuSn10 (CC480K)
Gasket	Natural fiber
Mechanical seal	Q1Q1VG (SiC/SiC/FPM)

### Dimensions in inch

a	3 <sup>15</sup> / <sub>16</sub>	z1	15 <sup>9</sup> / <sub>16</sub>
b	2 <sup>9</sup> / <sub>16</sub>	z2	12 <sup>1</sup> / <sub>2</sub>
d	14*4		
DNA	2 <sup>9</sup> / <sub>16</sub>		
DNM	1 <sup>15</sup> / <sub>16</sub>		
h1	7 <sup>1</sup> / <sub>16</sub>		
h2	8 <sup>7</sup> / <sub>8</sub>		
l	39 <sup>15</sup> / <sub>16</sub>		
m1	4 <sup>15</sup> / <sub>16</sub>		
m2	3 <sup>3</sup> / <sub>4</sub>		
n1	12 <sup>5</sup> / <sub>8</sub>		
n2	9 <sup>13</sup> / <sub>16</sub>		
s	9 <sup>9</sup> / <sub>16</sub>		
w	17 <sup>11</sup> / <sub>16</sub>		
x1	14 <sup>3</sup> / <sub>8</sub>		
x2	12		



C	4	C	4 <sup>13</sup> / <sub>16</sub>
D	6 <sup>1</sup> / <sub>2</sub>	D	7 <sup>5</sup> / <sub>16</sub>
DN	1 <sup>15</sup> / <sub>16</sub>	DN	2 <sup>9</sup> / <sub>16</sub>
K	4 <sup>15</sup> / <sub>16</sub>	K	5 <sup>11</sup> / <sub>16</sub>
n°	3 <sup>3</sup> / <sub>16</sub>	n°	3 <sup>3</sup> / <sub>16</sub>
øn	3 <sup>3</sup> / <sub>4</sub>	øn	3 <sup>3</sup> / <sub>4</sub>

<b>Motor</b>	Frame size	200 L		
Manufacturer / Type	SAER	MEC200L-2P-30		
Rated power	hp	40.231	Efficiency 4/4	90.2 %
Electric current	A	50	Speed rpm	3600
Electric voltage	V	460 V	3~	Hz 60
Starting mode	Unknown			
Degree of protection	IP 55	Insulation class	F	

Remarks:				
Project	Project ID	Created by	Created on	Last update
			2022-09-16	

Receiver

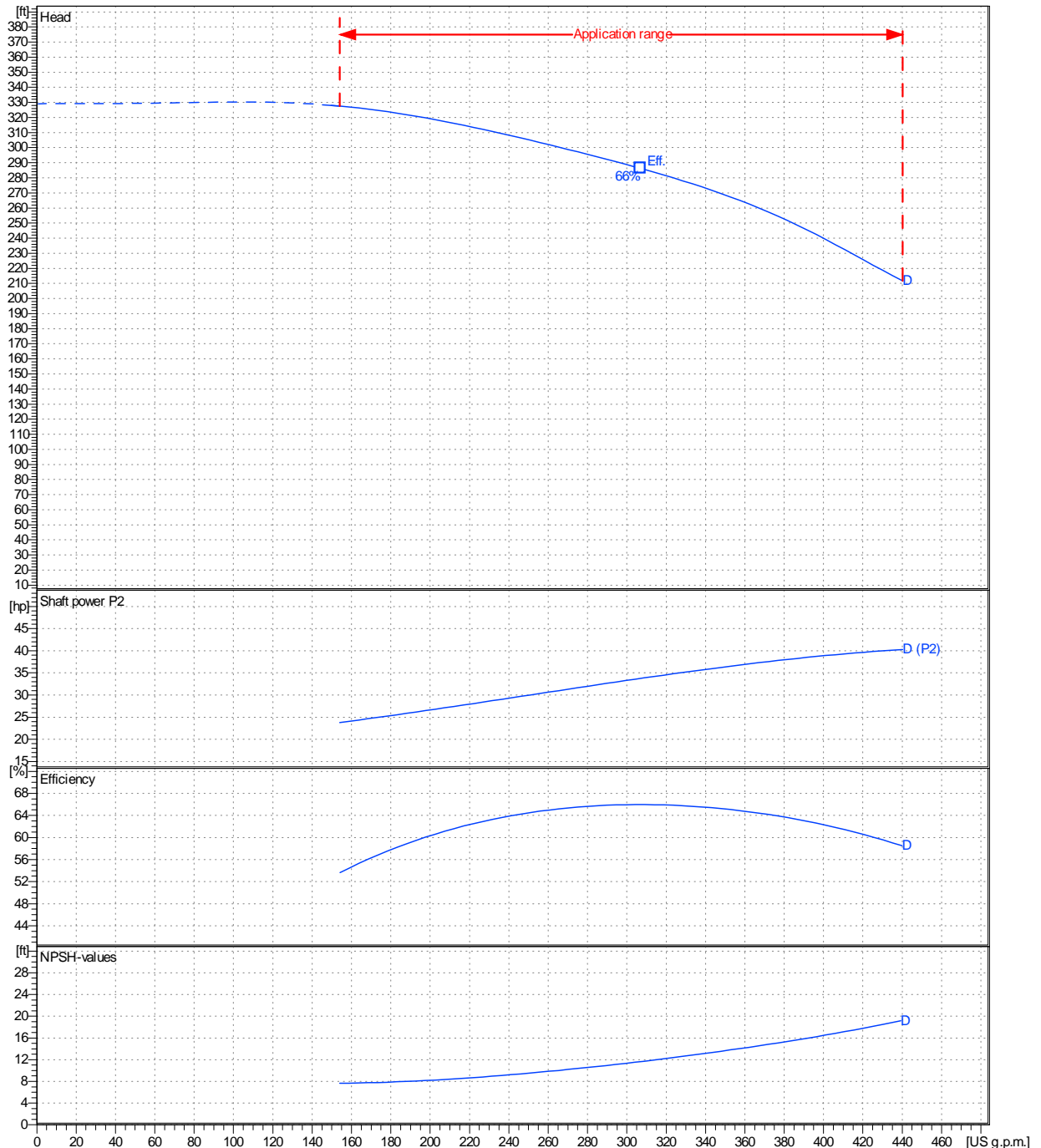
From

 Company name  
 Respons. Department  
 Person in charge  
 Phone number  
 Fax no  
 E-mail address

Operating area	Flow	Head	Impeller type
Operating data specification	0 US g.p.m.	0 ft	Impeller construction: Closed
Pump data	US g.p.m.	ft	Sense of rotation: Clockwise from the drive end
			Outlet width: DN 50
	Flow	Head	Shaft power P2
	Speed	rpm	3600
	Frequency	Hz	60 Hz
	Min. US g.p.m.	Max. US g.p.m.	$\eta$ Max.
	154	440	307
	H(Q=0) ft	$\eta$ Max. ft	P2(Q=0) hp
	329	286	40.3
			$\eta$ Max. hp
			33.7

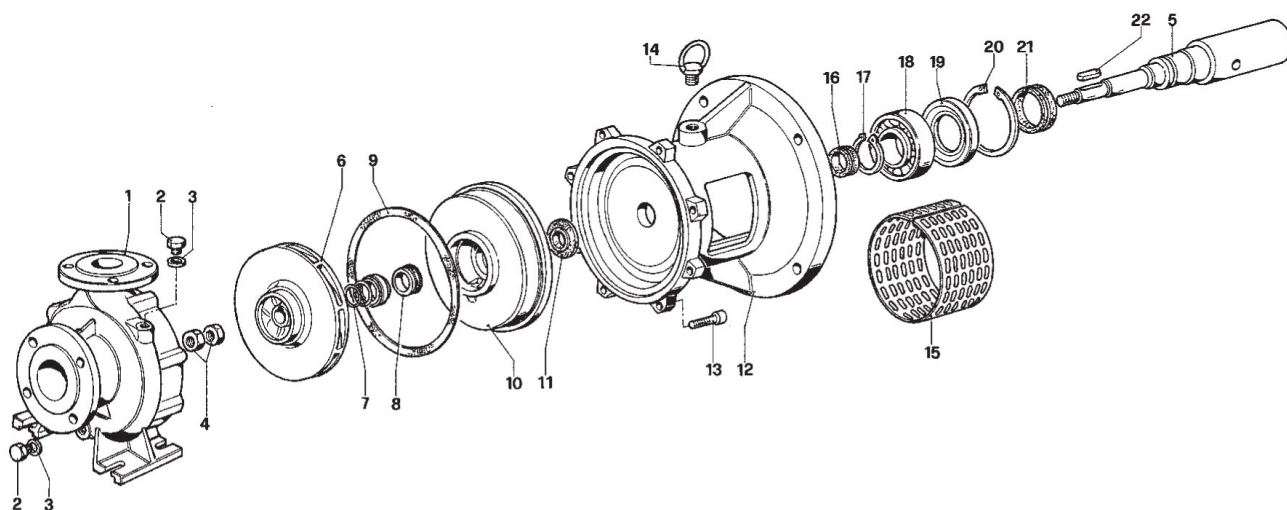
 Performance data based to: Water, pure [100%]; 68°F; 62.3lb/ft<sup>3</sup>; 1.08E-5ft<sup>2</sup>/s

UNI EN ISO 9906:2012 - Grade 3B



Project	Project ID	Created by	Created on <b>2022-09-16</b>	Last update
---------	------------	------------	---------------------------------	-------------

Company name  
Respons. Department  
Person in charge  
Phone number  
Fax no  
E-mail address

Project

Project ID

Created by

Created on  
**2022-09-16**

Last update