



Technical Data

End Suction Pump - EAZS65/20-05504

Revision no. _____ Page: 1

	Receiver	From
Company name		
Respons. Department		
Person in charge		
Phone number		
Fax no		
E-mail address		

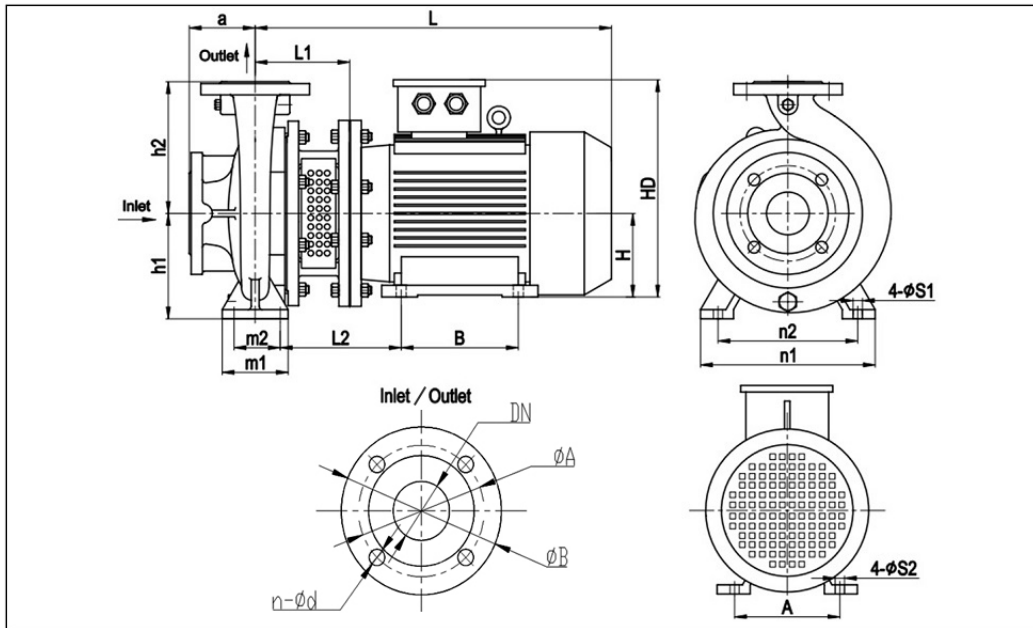


Brand: Gol Pumps
AcXY: '95 NG65/20-05504
Flange: ANSI Class 125

Motor (B35)	
Model	hp
Y2-132S-4	7.5

Weight (lb)		
Pump	Motor	Pump & Motor
115	143	256

Dimensions:



Inlet			
DN	ØA	ØB	n-Ød
3	6	7.5	4-0.8

Outlet			
DN	ØA	ØB	n-Ød
2.5	5.5	7.1	4-0.8

Pump Installation Size (inch)															
a	h1	h2	L1	L2	L	A	B	H	HD	m1	m2	n1	n2	S1	S2
3.9	7.1	8.9	7.4	9	22.7	8.5	5.5	5.2	13.6	4.9	3.7	12.6	9.8	0.6	0.5

Project	Project ID	Created by	Created on	Last update
---------	------------	------------	------------	-------------



Performance Curves

End Suction Pump - EAZS65/20-05504

Revision no.

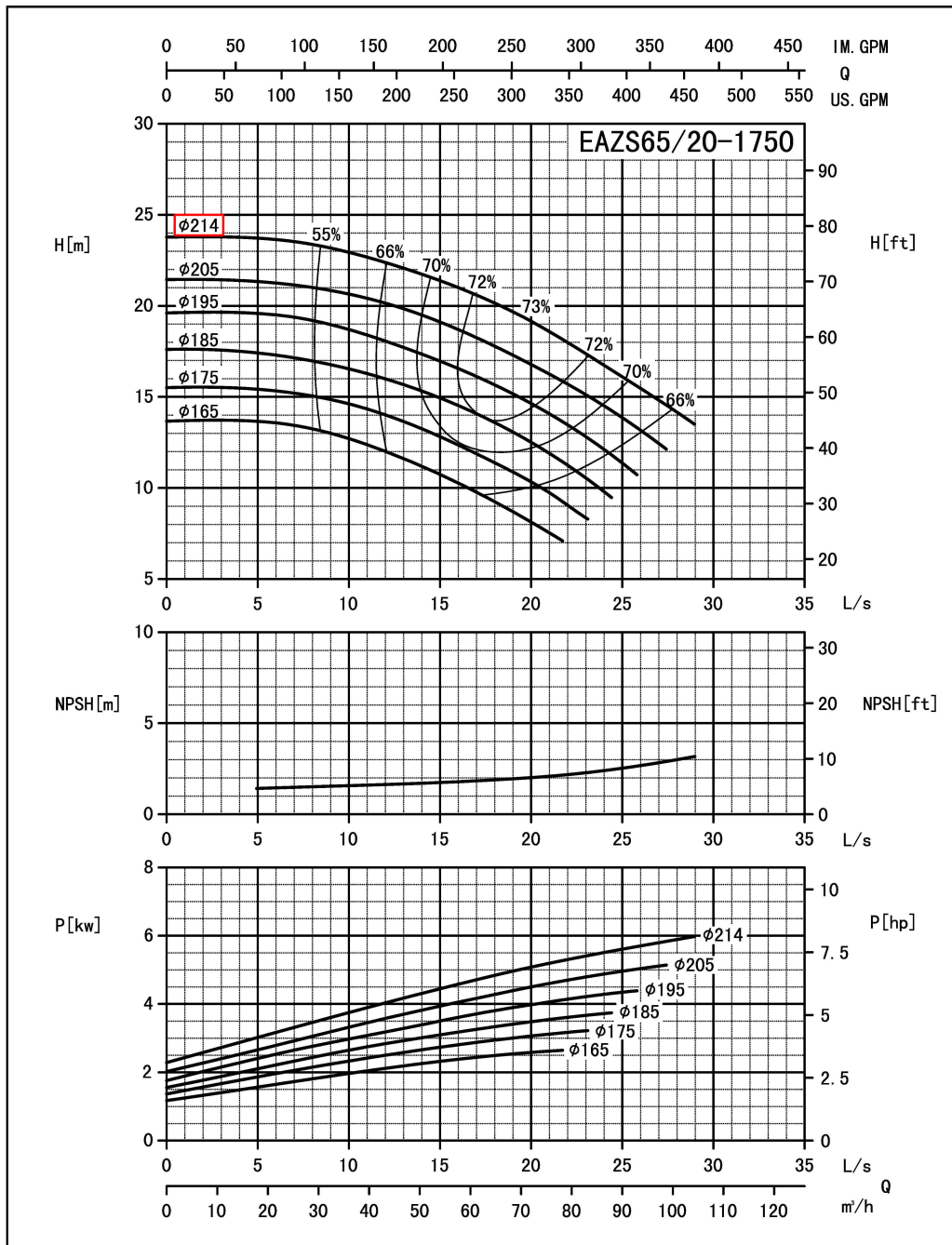
 Page:
2

Receiver

From

 Company name
 Respons. Department
 Person in charge
 Phone number
 Fax no
 E-mail address

Model	Capacity		Head ft	Speed r/min	Power (kw)		Motor (hp)	Efficiency %	Impeller Diam. inch	(NPSH) r ft
	m ³ /h	gpm			Shaft	Motor				
EAZS65/20-05504	33	145.2	74.6	1750	3.1	4	5	65	8.4	5.6
	55	242	65.5		4.1	5.5	7.5	72.5		6.2
	66	290.4	54.5		4.2	5.5	7.5	71		6.9



Performance to ISO9906 Grade 2 for clean cold water only

EF-A01/1406

Project

Project ID

Created by

Created on

Last update