



# Technical Data - Pump

## Vertical Multistage Pump Nema - SBN 64-5-2

Revision no.

Page:  
 1

Receiver	From

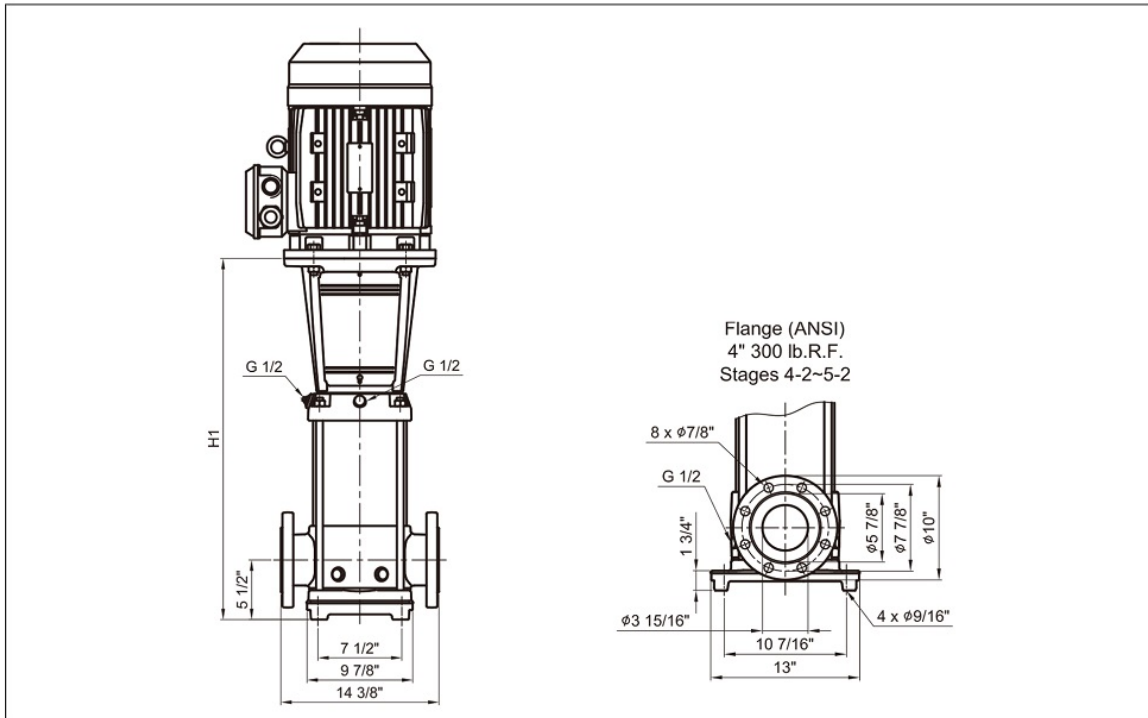
Company name  
 Respons. Department  
 Person in charge  
 Phone number  
 Fax no  
 E-mail address



**Brand: Gol Pumps**  
**Model: SBI 64-5-2 (Without Motor)**



### Pump Dimensions:



Pump Installation Size (inch)				
ANSI Flange	Port Size		NEMA Frame TEFC motors	Net Weight
	DNA	DNM		Lb.
H1	4	4	364/5TSC	-

Project	Project ID	Created by	Created on	Last update
---------	------------	------------	------------	-------------



# Performance Curves

## Vertical Multistage Pump Nema - SBN 64-5-2

Revision no. \_\_\_\_\_

Page: 2

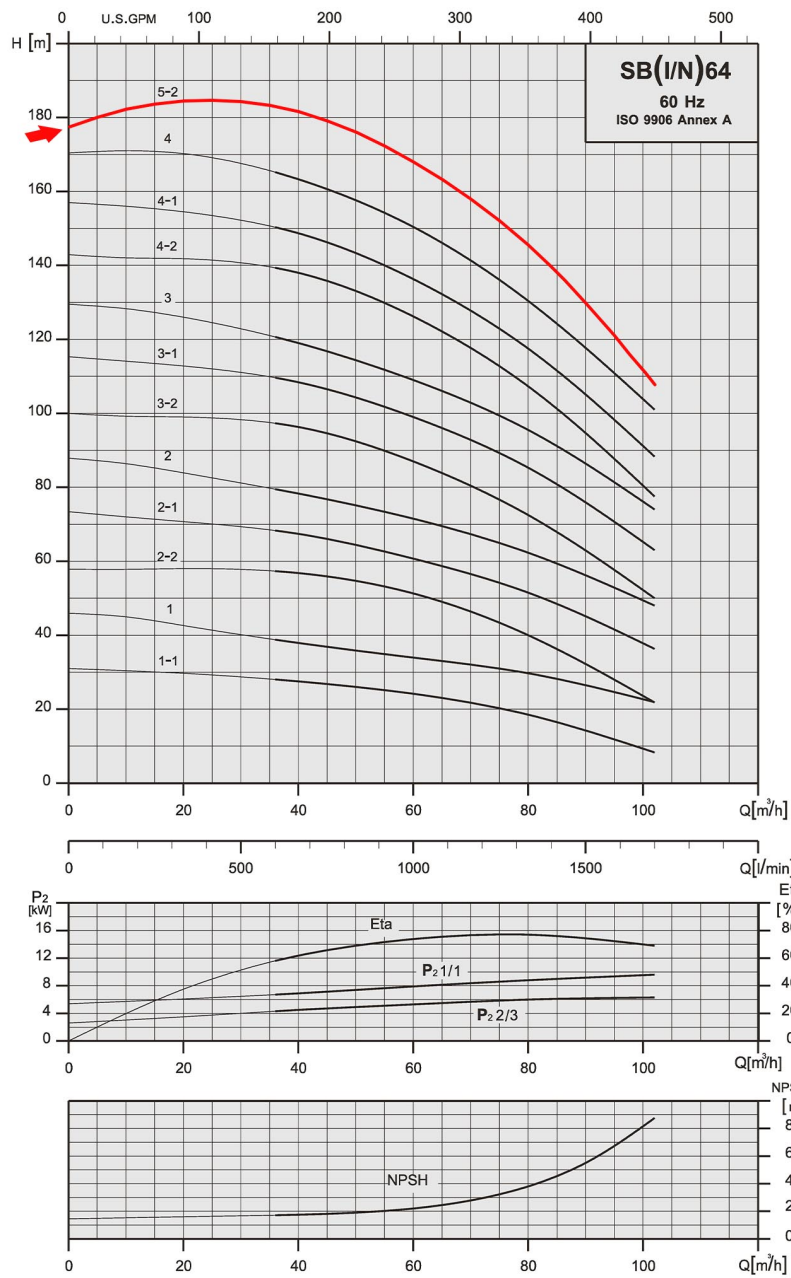
Receiver \_\_\_\_\_

From \_\_\_\_\_

Company name \_\_\_\_\_  
 Respons. Department \_\_\_\_\_  
 Person in charge \_\_\_\_\_  
 Phone number \_\_\_\_\_  
 Fax no \_\_\_\_\_  
 E-mail address \_\_\_\_\_



Model	Port Size (in.)		Flow	HP	Volts	Amps	Phase	Max. Head	Max. Suction	Max. PSI
	DNA	DNM	GPH		V	I Max.	Ph	Ft.	Ft.	
<b>SBN 64-5-2</b>	4	4	27000	60	230/460	134/67	Three	580	17	258



Project _____	Project ID _____	Created by _____	Created on _____	Last update _____
---------------	------------------	------------------	------------------	-------------------



## Parts and Materials

### Vertical Multistage Pump Nema - SBN 64-5-2

Revision no.

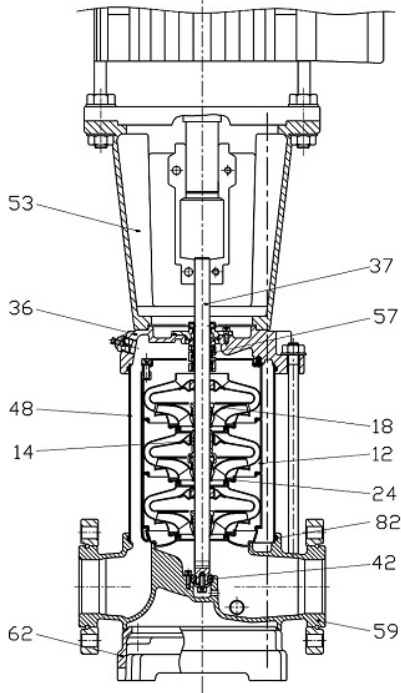
Page:  
 3

Receiver

From

Company name  
 Respons. Department  
 Person in charge  
 Phone number  
 Fax no  
 E-mail address





Parts List	Material	Standard
36 Pump Head	Stainless Steel	AISI 316
53 Motor Bracket	Cast Iron	ASTM 35B
18 Impeller	Stainless Steel	AISI 316
37 Shaft	Stainless Steel	AISI 316
48 Outer Sleeve	Stainless Steel	AISI 316
82 O-ring for Outer Sleeve	EPDM	
12 Chamber	Stainless Steel	AISI 316
24 Neck Ring	Carbon Fiber + POB + PTFE	
59 Base	Stainless Steel	AISI 316
62 Base Plate	Cast Iron	ASTM 35B
57 Mechanical Seal	Cartridge Type	
14 Bearing Ring	POB + Graphite + PTFE	
42 Bottom Bearing Ring	Tungsten Carbide	

Project	Project ID	Created by	Created on	Last update
---------	------------	------------	------------	-------------